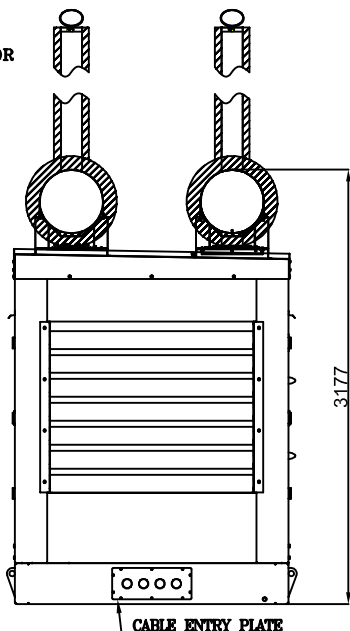


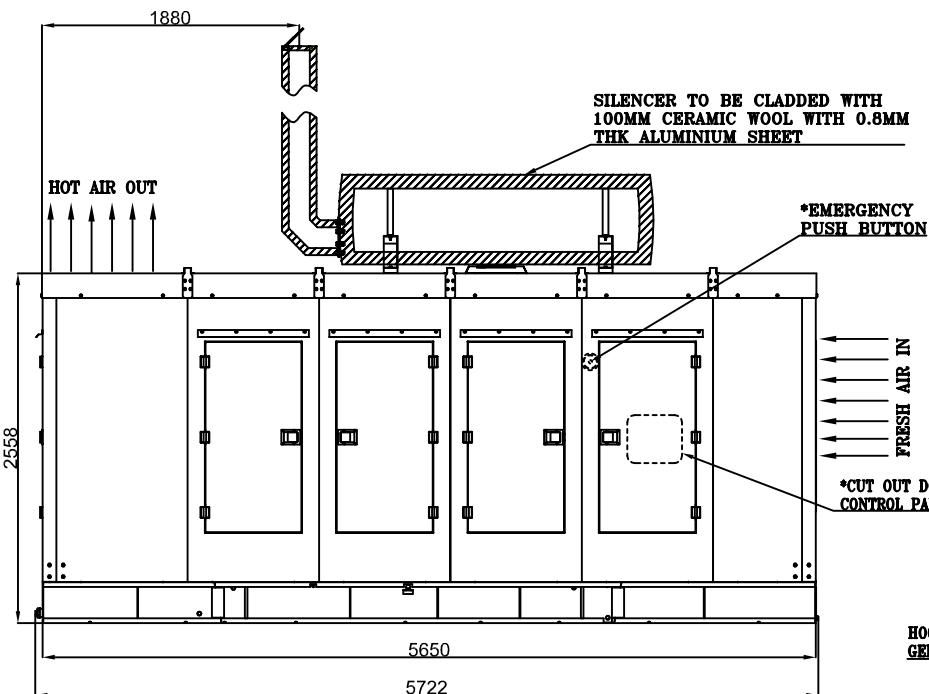
DV10 - 500KVA

DESCRIPTION	REV
NEW RELEASE	00

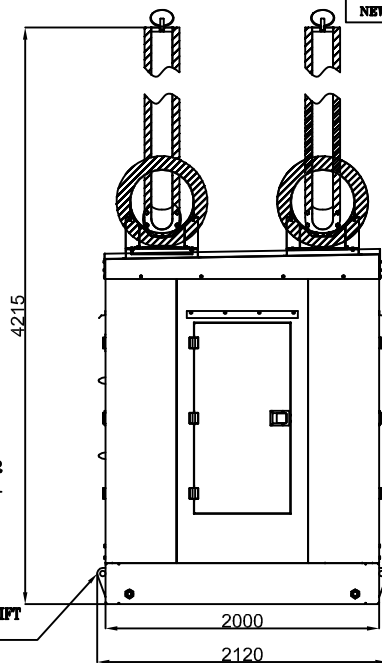
\* CUT OUT DOOR IS ON REAR SIDE



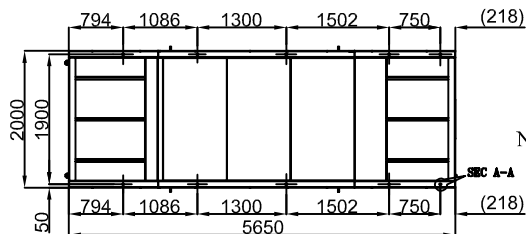
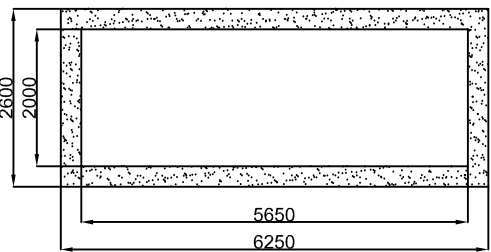
VIEW FROM ALTERNATOR



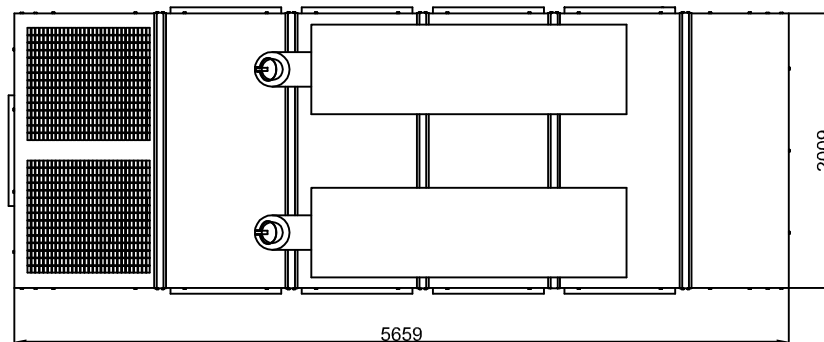
VIEW FROM FRONT



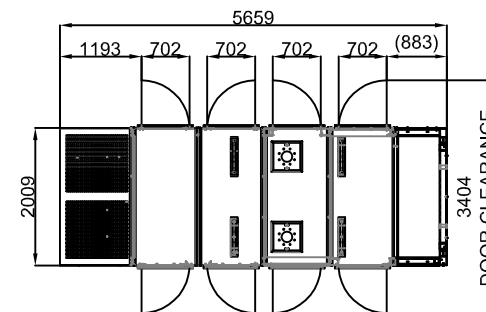
VIEW FROM ENGINE



FOUNDATION LAYOUT



VIEW FROM TOP



INSTALLATION PLAN FOR OPEN DOOR

NOTES:

1. FUEL TANK CAPACITY: 990 LITRES
2. HEIGHT OF FOUNDATION ABOVE FFL CAN BE MODIFIED DEPENDING UPON WATER STAGNATION.
3. DEPTH BELOW FFL DEPEND UPON THE SOIL CONDITION AT SITE
4. APPROX DEPTH BELOW FFL= 500MM
5. PCC OR RCC SHALL BE BASED ON SOIL CONDITION
6. LENGTH OF THE GENSET = 5659 MM (18.56ft)
7. WIDTH OF THE GENSET = 2120 MM (6.97ft)
8. HEIGHT OF THE GENSET = 4215 MM (13.82ft)

IF IN DOUBT ASK PRINTS OF PREVIOUS REVISION NO. SHOULD BE SCRAPPED

THIS DRAWING IS PROPERTY OF SUNBEAM GENERATORS PVT LTD. AND MUST BE RETURNED OR REQUEST IS SUBMITTED AS CONTAINING INFORMATION WITH OUR QUALITY, TENDER, ORDER OR CONTRACT NO. IT IS NOT TO BE ISSUED FOR ANY OTHER PURPOSE OR ORDER NOR BE COPIED OR LENT WITHOUT OUR AUTHORITY IN WRITING.



UNLESS OTHERWISE SPECIFIED		CIVIL DRG. FILE-		FLM		DRAWING/FORMING DRG. NO.	
• ALL DIMENSIONS ARE IN MM. SERVICE REQUIREMENTS AS PER CO. STANDARDS.		REFR BOM		HEAT TREATMENT		---	
• UNDIMENSIONED TOLERANCES AS PER IS:1191/1991.		DWN D.FRWKASH		TITLE		TYPE DV10	
• FINISH ALL EDGES BEVELLED AND CHAMFERED TO R4.		CHG. T.MARJUNILAKAR		DATE		SCALE 1:1	
• DRAWING NOT TO BE SCALED.		UNMENTIONED		DATE		SHEET NO 1 OF 1	
RADI		---		SUNBEAM GENERATORS PVT LTD., PUDUCHERRY (INDIA)		DRAWING NO. SBG/GA-FND-500KVA	
CHAMFER		---		REV. NO.		REV. NO. 01	
UNDERCUT		---		DATE		---	